



2nd
open-search
workshop

Robin Gareus
open-search
foundation

2nd open-search workshop

Robin Gareus
open-search foundation

April 27, 2007

Outline

Introduction

Open Ends



2nd
open-search
workshop

Robin Gareus
open-search
foundation

Outline

Introduction

Open Ends

1 Introduction

The open-search framework
Demonstration

2 Open Ends

..what has been done
Workshop ToDo menu
Install party

framework



2nd
open-search
workshop

Robin Gareus
open-search
foundation

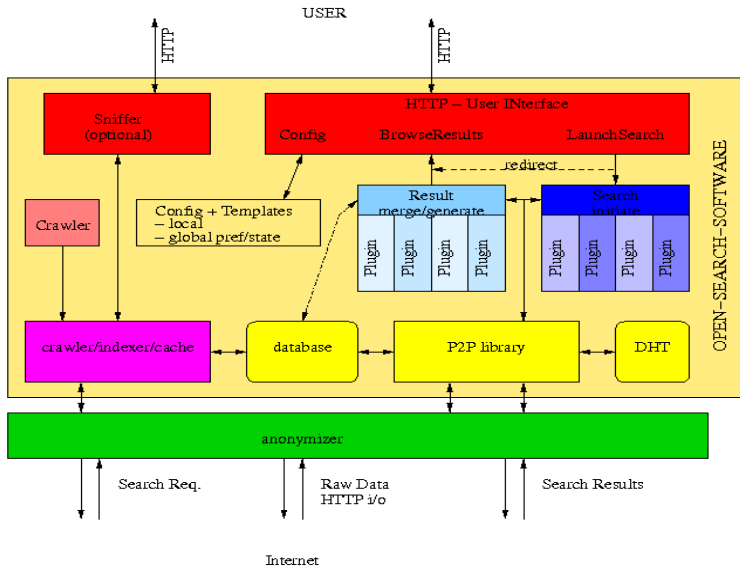
Outline

Introduction

The open-search
framework

Demonstration

Open Ends



open-search framework



2nd
open-search
workshop

Robin Gareus
open-search
foundation

- quick and efficient HTTPd.
- built-in search-request handling and data structure
- pluggable backends.
- abstract/customizable frontend.

Outline

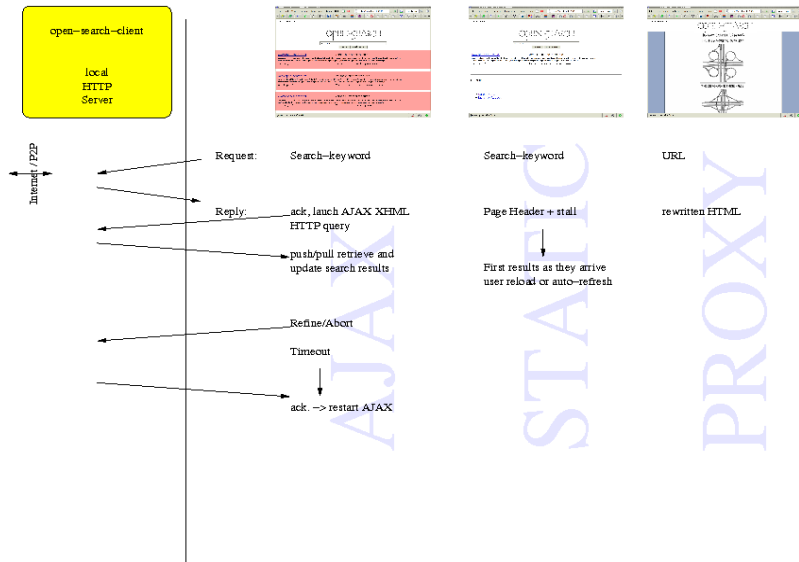
Introduction

The open-search
framework

Demonstration

Open Ends

protocol overview - information flow



2nd
open-search
workshop

Robin Gareus
open-search
foundation

Outline

Introduction

The open-search
framework

Demonstration

Open Ends



Outline

Introduction

The open-search
framework

Demonstration

Open Ends

- <http://localhost:8999/>
- <http://open-search.net:8999/> (?Firewall,VPN?)

Installation and Usage



2nd
open-search
workshop

Robin Gareus
open-search
foundation

- no (minimal) configuration
- system-V standard compatible daemon
- "launch and forget"

Outline

Introduction

The open-search
framework

Demonstration

Open Ends



2nd
open-search
workshop

Robin Gareus
open-search
foundation

- simple user interface
- query parser, result generator
- parts of crawler and proxy
- data indexer, merger abstraction

Outline

Introduction

Open Ends

..what has been
done

Workshop ToDo
menu

Install party



2nd
open-search
workshop

Robin Gareus
open-search
foundation

Outline

Introduction

Open Ends

..what has been
done

Workshop ToDo
menu

Install party

- customizable CSS
- semi-static (non AJAX)
- interactive (AJAX)

Plugin framework



2nd
open-search
workshop

Robin Gareus
open-search
foundation

Outline

Introduction

Open Ends

..what has been
done

Workshop ToDo
menu

Install party

- libdl (shared libs .so)
- CGI (sh, php, perl,..)
- ..



2nd
open-search
workshop

Robin Gareus
open-search
foundation

Outline

Introduction

Open Ends

..what has been
done

**Workshop ToDo
menu**

Install party

To Do



2nd
open-search
workshop

Robin Gareus
open-search
foundation

Outline

Introduction

Open Ends

..what has been
done

Workshop ToDo
menu

Install party

- help with libxlst dependency
- translate (yet only error messages; but soon page templates and config options)
- installer, init-scripts and desktop integration.

server side (core/plugins)



2nd
open-search
workshop

Robin Gareus
open-search
foundation

- user interface generator as XSLt
- crawler, sniffer
- data indexer, merger, summarizer
 - text files
 - XML files (docbook, html, opensearch)
 - pdf, ocx, rtf

Outline

Introduction

Open Ends

..what has been
done

Workshop ToDo
menu

Install party

network layer (plugins)



2nd
open-search
workshop

Robin Gareus
open-search
foundation

- distributed Hash Tables and distributed data-storage on top of TCP
- port/wrap existing p2p software: (for fun and proof or concept)
 - giFT
 - oceanstore
 - *torrent
 - gkt-gnutella

Outline

Introduction

Open Ends

..what has been
done

Workshop ToDo
menu

Install party



2nd
open-search
workshop

Robin Gareus
open-search
foundation

- browser toolbar
- separate and clean CSS
- define search types and collect icons (web, file, image, source, ..)
- frontend nicities and gadgets (history, preview, pager,..)
- user interface

Outline

Introduction

Open Ends

..what has been
done

Workshop ToDo
menu

Install party



2nd
open-search
workshop

Robin Gareus
open-search
foundation

install-party

Outline

Introduction

Open Ends

..what has been
done
Workshop ToDo
menu
Install party



- compile from source
 - gnu/Linux: easy
 - *BSD: no problem
 - Mac/osX: needs osX devel systel (Xcode)
 - windows: should work (with cygwin), never tried.
- binary package(s)
 - gnu/Linux: unofficial debian package available
 - mac: tentative dmg
 - windows: none yet

install instructions



2nd
open-search
workshop

Robin Gareus
open-search
foundation

Outline

Introduction

Open Ends

..what has been
done
Workshop ToDo
menu
Install party

get the source..

..from subversion repository

```
svn co https://open-search.svn.sf.net/svnroot/open-search\  
open-search  
cd open-search
```

```
./autogen
```

..from source tar-ball

```
wget http://www.open-  
search.net/pub/Software/ClientReleases/oscar-  
0.1.0.tar.gz  
tar xvzf oscar-0.1.0.tar.gz  
  
cd oscar-0.1.0
```

Compile and Install

```
./configure  
make  
make install
```